

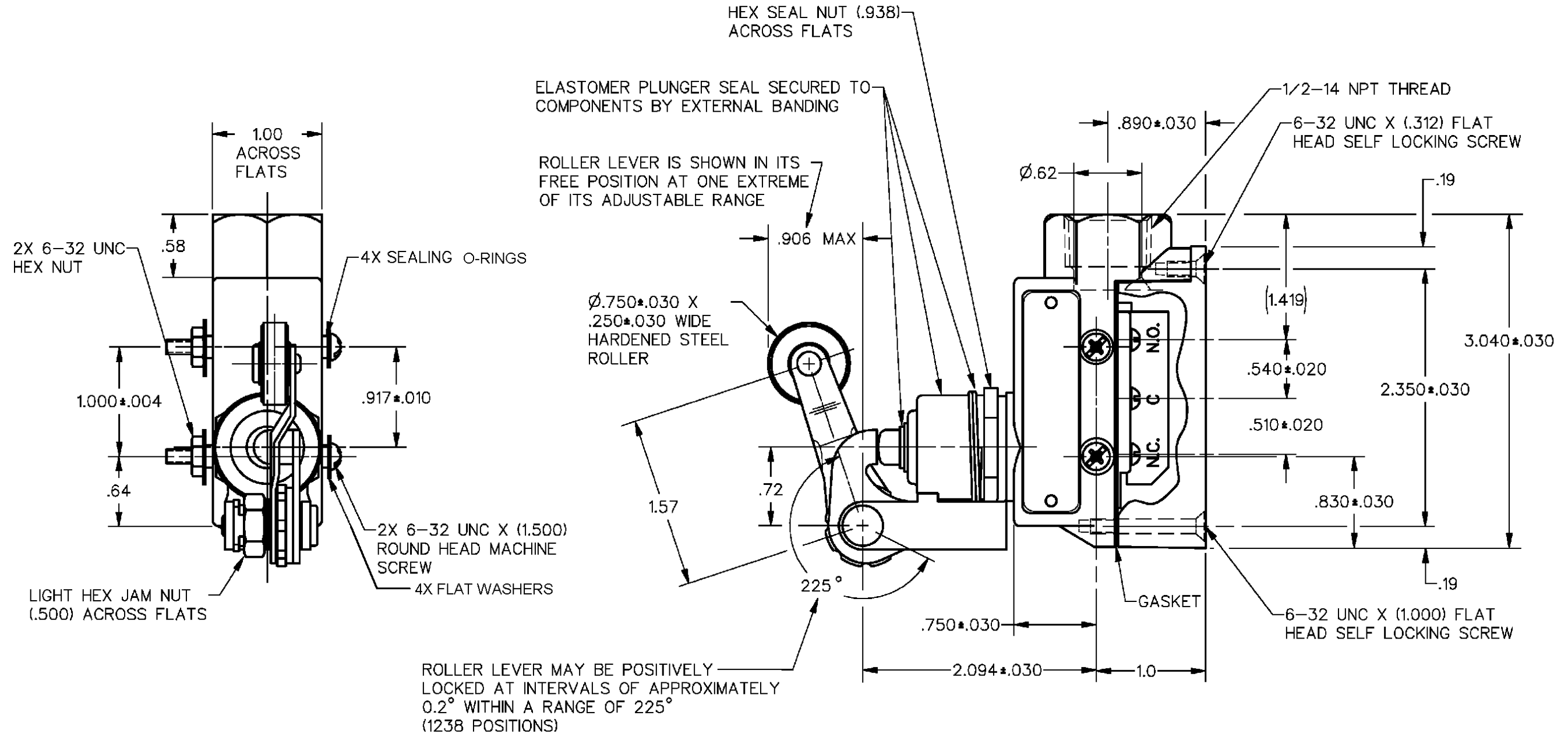
**MICRO SWITCH**  
a Honeywell Division

SWITCH - ENCLOSED

CATALOG LISTING  
**DTE6-2RN2**

FED. MFG. CODE 91929

DTE6-2RN2  
 CATALOG LISTING  
 PAGE 1 OF 1  
 ISSUE 12  
 RELEASE NO. SR-7735  
 REPLACES  
 REVISIONS  
 A CO-73761  
 SA V 8 OCT 92  
 B CO-73855  
 S M 21 APR 93  
 C CO-77178B  
 K D R 21 FEB 94  
 D CO-81513E  
 J A K 5 MAR 97  
 E 0016895  
 V K R 18 NOV 05  
 F 0018962  
 V K R 14 FEB 06  
 DDM/CAD  
 DRAWN  
 SAV 8 OCT 92  
 CHECK  
 BP 18 NOV 05  
 CHECK  
 BP 14 FEB 06  
 CHECK  
 BP 14 FEB 06



THIS DRAWING COVERS A PROPRIETARY ITEM AND IS THE PROPERTY OF MICRO SWITCH, A DIVISION OF HONEYWELL. THIS DRAWING IS NOT TO BE COPIED OR USED WITHOUT THE APPROVAL OF MICRO SWITCH		THIRD ANGLE PROJECTION
CHARACTERISTICS		SCALE FULL
PRETRAVEL	.266 MAX	DO NOT SCALE PRINT
DIFFERENTIAL TRAVEL	.165 MAX	UNLESS OTHERWISE SPECIFIED TOLERANCES ARE
OVERTRAVEL	.219 MIN	ONE PLACE (.0) ± .030
BASIC SWITCH REPLACEMENT	DT-2R3-A7	TWO PLACE (.00) ± .015
ELECTRICAL DATA		THREE PLACE (.000) ± .005
CONTACT ARRANGEMENT		ANGLES ±
D P D T		WEIGHT .71 LB
L59 10A 125 OR 250 VAC		
0.3A 125 VDC, 0.15A 250 VDC		

- NOTES
- 1 - 6X 4-40 UNC X (.125) TERMINAL SCREW AND LOCKWASHER
  - 2 - ROLLER LEVER BRACKET ASSEMBLY MAY BE SET AT ANY POSITION AROUND AXIS OF PLUNGER
  - 3 - SEAL RATING : NEMA 1.3 IP 54

ANSI Y14.5M-1982 APPLIES